

CBRN FILTRATION AND VENTILATION SYSTEMS

Solutions for Shelters and Protected Spaces



ARC is a series of advanced CBRN (chemical, biological, radiological and nuclear) air filtration and ventilation systems designed for installation in protected spaces like shelters, bunkers, strategic facilities and other applications for providing fresh filtered air for safe breathing, maintaining an overpressure and creating protected environment inside the intended area.

Floor installation



Floor-free (wall) installation



Highlights

- Tested and **certified to SI4570 standard** and comply with requirements of various international standards.
- **Approved by civil defence authorities** in various countries.
- Company's systems **installed in tens of thousands of shelters** worldwide.
- Field-tested and **proven in real events**.

Specifications

Systems	ARC 450	ARC 600
Installation variants*	FM / FF	FM / FF
Airflow in filtration mode	450 m ³ /h	600 m ³ /h
Airflow in ventilation mode	900 m ³ /h	1200 m ³ /h
Electric motor voltage (AC)	230V or 115V	230V or 115V
Phase	1-phase	1-phase
Max current for 230V motor	5.9 A	5.9 A
Manual backup	Yes	Yes
* FM-floor mounted / FF-floor free (wall)		

CBRN Filters	
Activated carbon	As per SI 4570 standard
Mechanical filtration efficiency @ 0.3 μ	≥99.995%

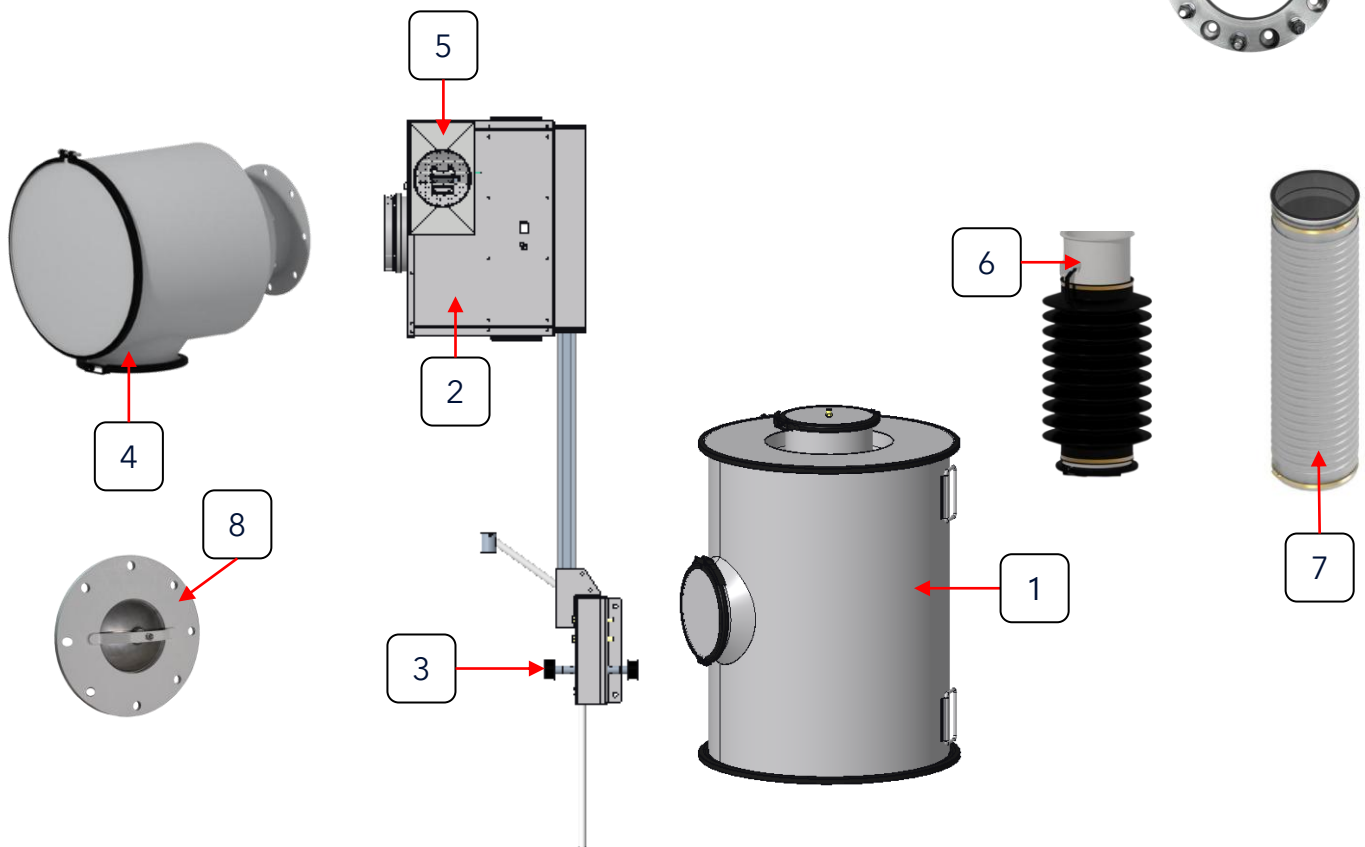
Blast Valves / Overpressure Valves	
Returned pressure durability (blast)	> 9 (900) bar (kPa)
Maximal Pressure durability (blast)	> 20 (2000) bar (kPa)

Main Components

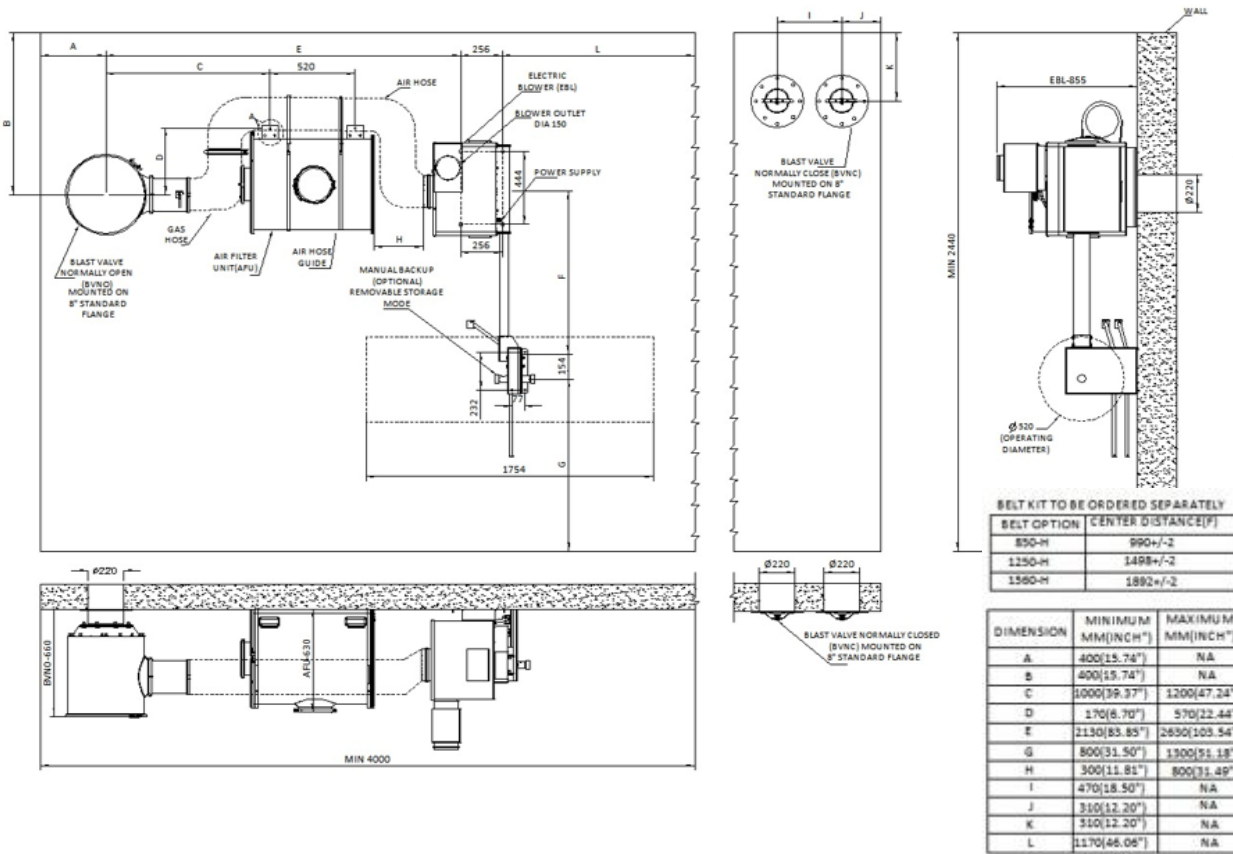
1. CBRN filter (combined carbon and HEPA filter)
2. Electric Blower
3. Manual backup
4. Blast valve with prefilter
5. Air exhaust with silencer + airflow indicator
6. Chemical resistant hose with airflow control damper
7. Clean air hose
8. Overpressure blast valve

Installation Hardware

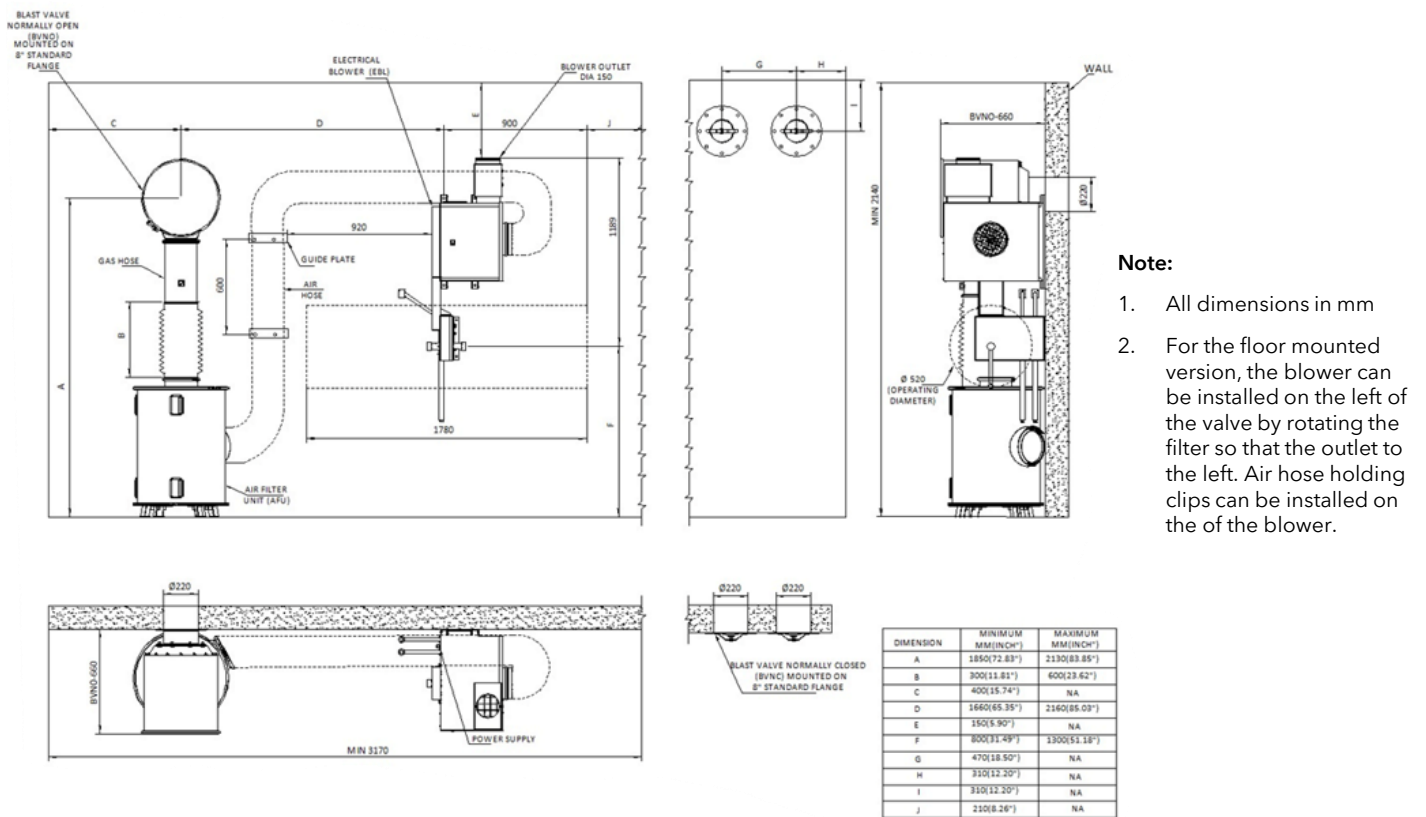
9. Wall sleeve with flange for casting in concrete
10. Retrofit flange for mounting on existing wall



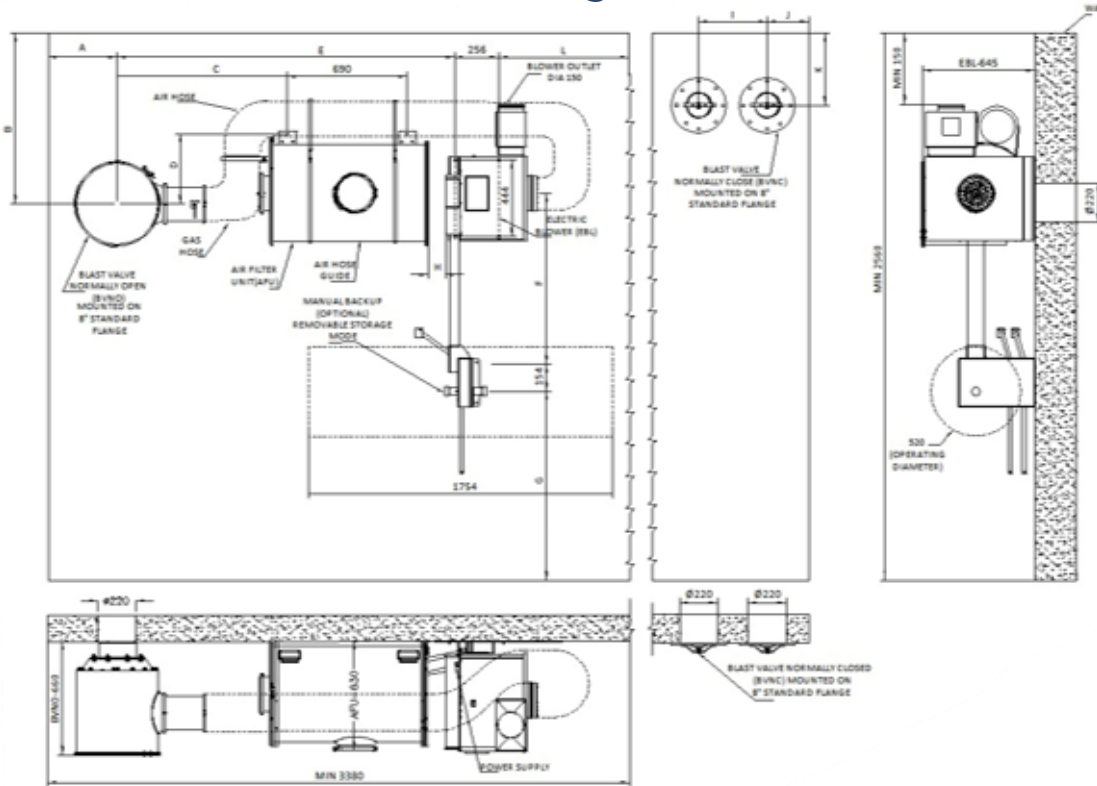
ARC 450 Floor-free Mounting Dimension



ARC 450 Floor Mounting Dimension



ARC 600 Floor-free Mounting Dimension



Note:

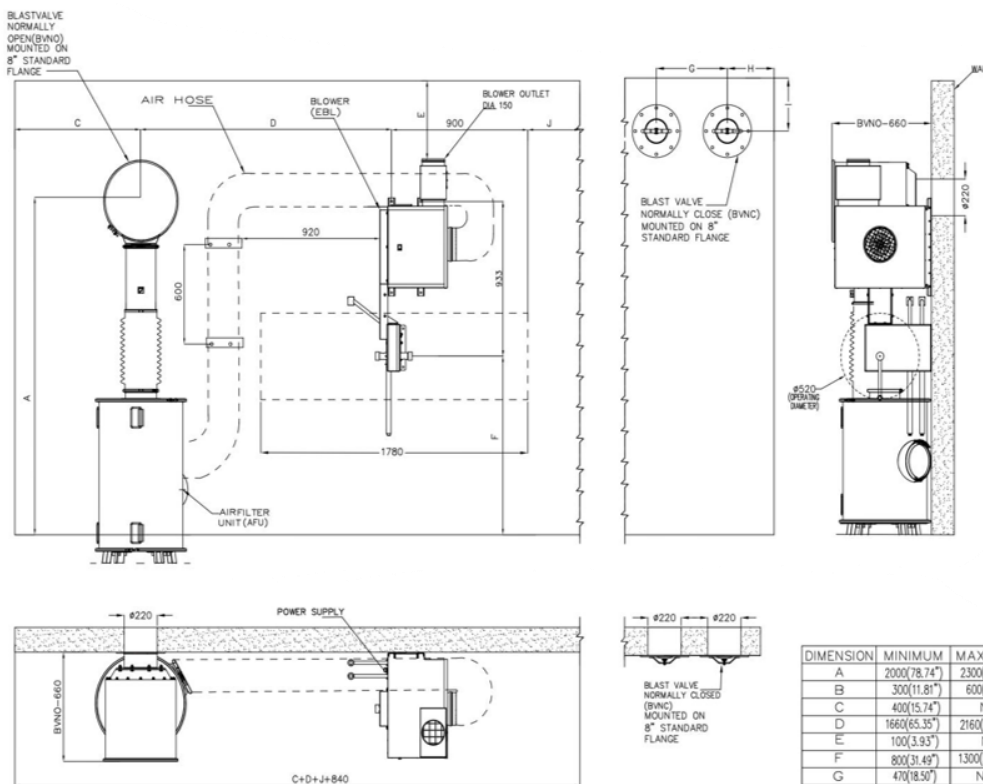
1. All dimensions in mm
2. For the floor-free version if the floor is on the right, the arrangement can be installed by mirroring all dimensions.

BELT KIT TO BE ORDERED SEPARATELY

BELT OPTION	CENTER DISTANCE(F)
850-M	980(+/-)
1250-M	1488(+/-)
1360-M	1592(+/-)

DIMENSION	MINIMUM MM(INCH*)	MAXIMUM MM(INCH*)
A	400(15.74")	N/A
B	400(15.74")	N/A
C	2000(78.74")	2300(90.55")
D	1700(66.93")	1700(66.93")
E	100(3.93")	N/A
F	800(31.49")	1300(51.18")
G	470(18.50")	N/A
H	310(12.20")	N/A
I	310(12.20")	N/A
J	210(8.26")	N/A

ARC 600 Floor Mounting Dimension



Note:

1. All dimensions in mm
2. For the floor mounted version, the blower can be installed on the left of the valve by rotating the filter so that the outlet to the left. Air hose holding clips can be installed on the of the blower.

DIMENSION	MINIMUM	MAXIMUM
A	2000(78.74")	2300(90.55")
B	300(11.81")	600(23.62")
C	400(15.74")	N/A
D	1660(65.35")	2160(85.03")
E	100(3.93")	N/A
F	800(31.49")	1300(51.18")
G	470(18.50")	N/A
H	310(12.20")	N/A
I	310(12.20")	N/A
J	210(8.26")	N/A



About Atmas

Atmas Group is a Finland-based global supplier of products, technologies, project support services and complete solutions in the areas of civil defense shelters and protected spaces, facilities reinforcement against CBRN, blast, ballistic, forced entry and EMP threats, as well as security, safety and emergency response.

Atmas is trusted by customers and partners around the world providing a unique combination of solutions "under one roof", with a focus on advanced technologies, product customization, uncompromised service and comprehensive project support.

Atmas Group Oy

Hermannin rantatie 3A

00540 Helsinki

Finland

+358 449843373

info@atmasgroup.com

www.atmasgroup.com