

# ARC 100

# ARC 180

# ARC 240

# ARC 300

## CBRN Filtration and Ventilation Systems

ARC is a professional line of CBRN (chemical, biological, radiological and nuclear) air filtration and emergency ventilation systems designed for installation in protected spaces like safe rooms, civil defence shelters, bunkers and other types of government, industrial and private facilities.

ARC systems designed for providing fresh filtered air into a shelter and creating overpressure (positive differential pressure) in the intended area for setting up a toxic free area (TFA).



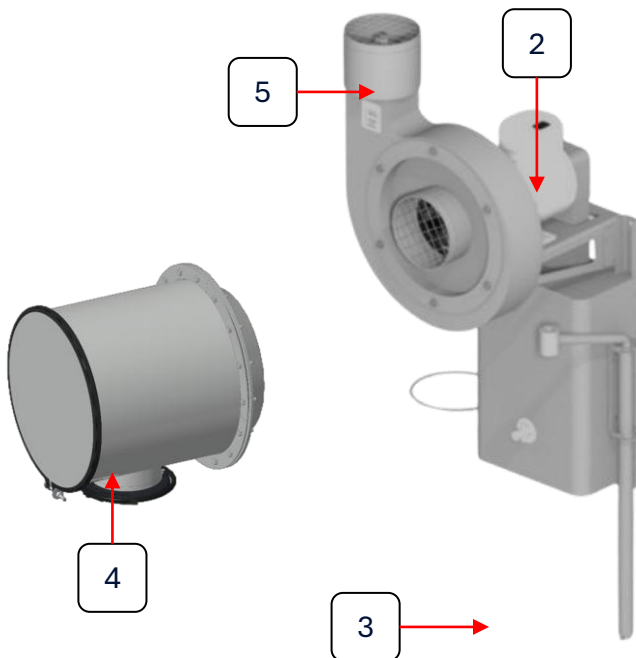
<b>Systems</b>	<b>ARC 100</b>	<b>ARC 180</b>	<b>ARC 240</b>	<b>ARC 300</b>
Installation variants *	FM / FF	FM / FF	FM / FF	FM / FF
Airflow in filtration mode	100 m3/h	180 m3/h	240 m3/h	300 m3/h
Airflow in ventilation mode	200 m3/h	360 m3/h	480 m3/h	600 m3/h
Electric motor voltage (AC)	230V or 115V	230V or 115V	230V or 115V	230V or 115V
Phase	1-phase	1-phase	1-phase	1-phase
Operational current for 230V motor **	5.3 A	5.3 A	5.4 A	5.4 A
Manual backup	Yes	Yes	Yes	Yes
* FM - floor mounted version   FF - floor free, wall mounted version				
** Starting current can be up to 6 times higher than the operational current. To reduce influence of a starting current, soft start devise can be used.				

<b>CBRN Filters</b>	
Activated carbon	As per SI 4570 standard
Mechanical filtration efficiency @ 0.3 μ	≥99.995%

<b>Blast Valves / Overpressure Valves</b>	
Returned pressure durability (blast)	> 9 (900) bar (kPa)
Maximal Pressure durability (blast)	> 20 (2000) bar (kPa)

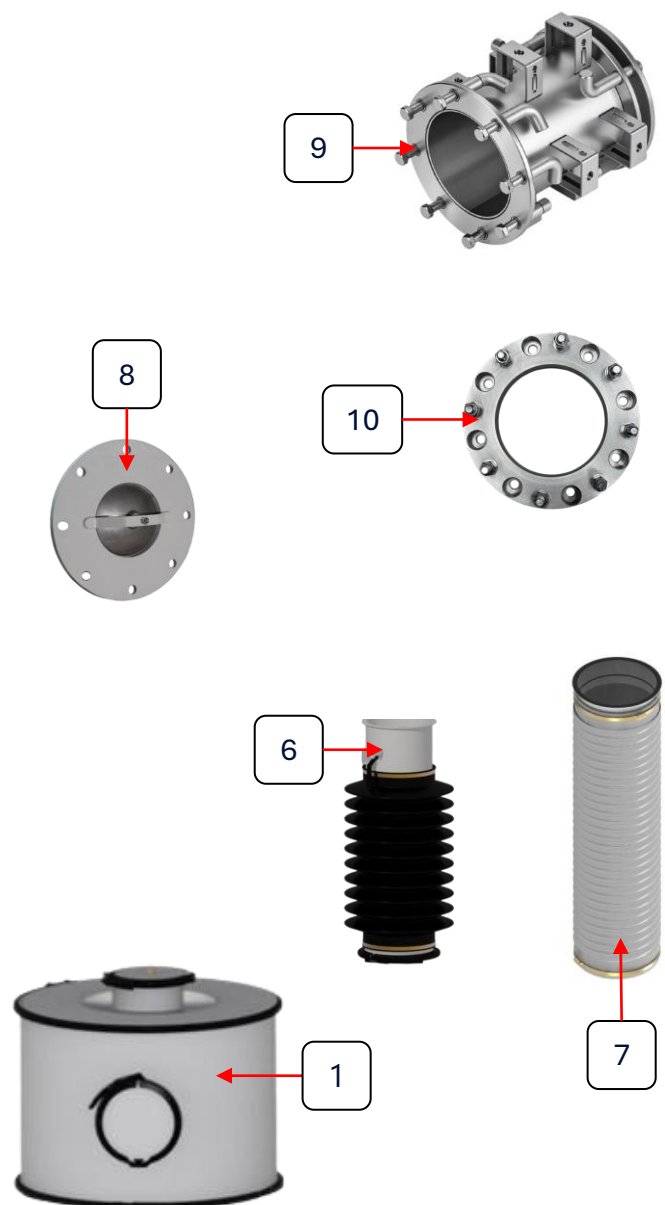
## Main Components

1. CBRN filter (combined carbon and HEPA filter)
2. Electric Blower
3. Manual backup
4. Blast valve with prefilter
5. Air exhaust + airflow indicator
6. Chemical resistant hose with airflow control damper
7. Clean air hose
8. Overpressure blast valve

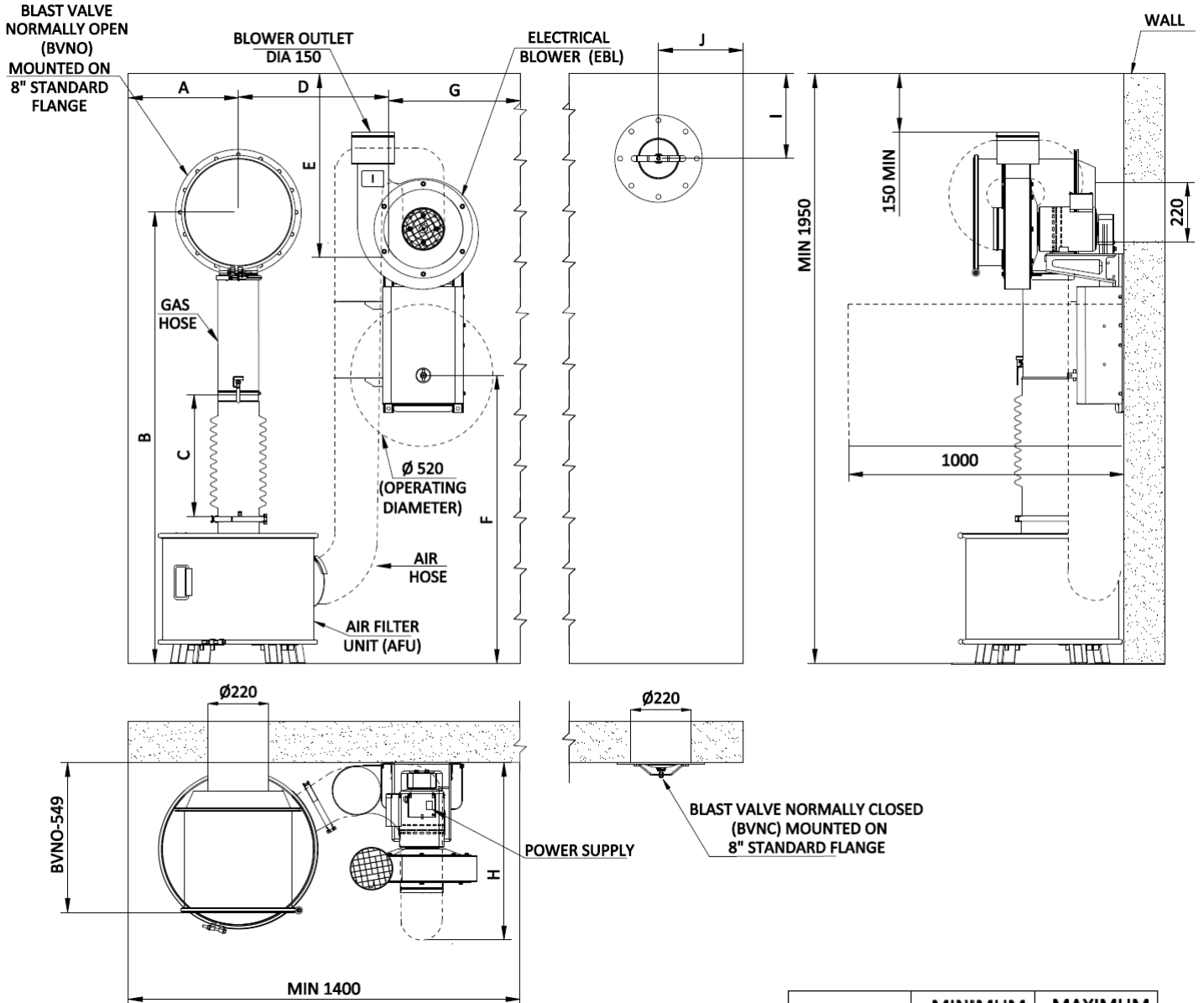


## Installation Hardware

9. Wall sleeve with flange for casting in concrete
10. Retrofit flange for mounting on existing wall



### ARC 100 / ARC 180 Floor Mounted Version

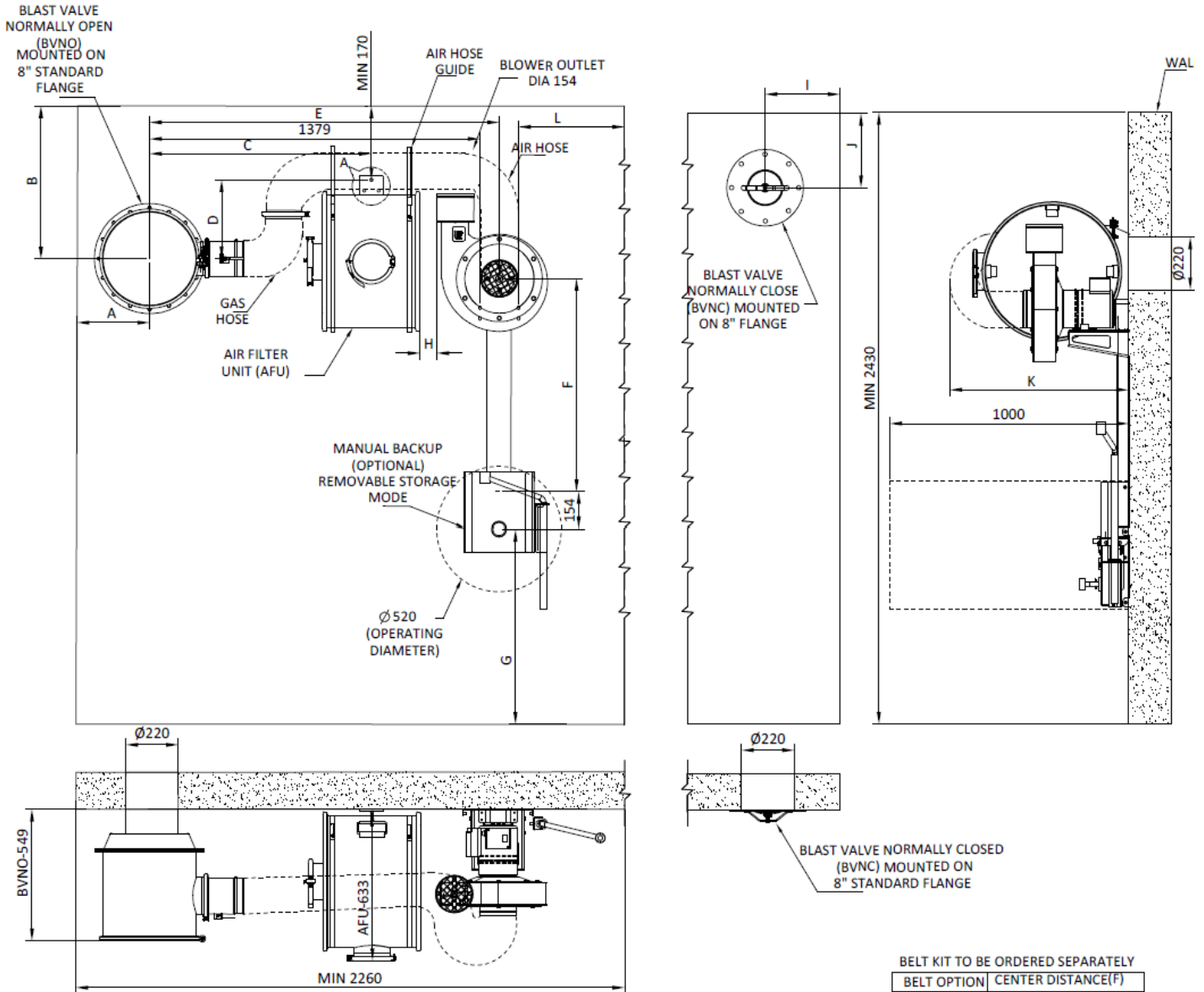


DIMENSION	MINIMUM MM(INCH")	MAXIMUM MM(INCH")
A	400(16")	NA
B	1500(60")	1800(72")
C	300(12")	600(24")
D	550(22")	1550(61")
E	600(24")	NA
F	800(32")	1300(52")
G	481(18.93")	NA
H	650(26")	NA
I	310(12.20")	NA
J	310(12.20")	NA

Note:

1. All dimensions in mm
2. The blower can be installed on the left or the right to the blast valve.

### ARC 100 / ARC 180 Floor-free Version



BELT KIT TO BE ORDERED SEPARATELY

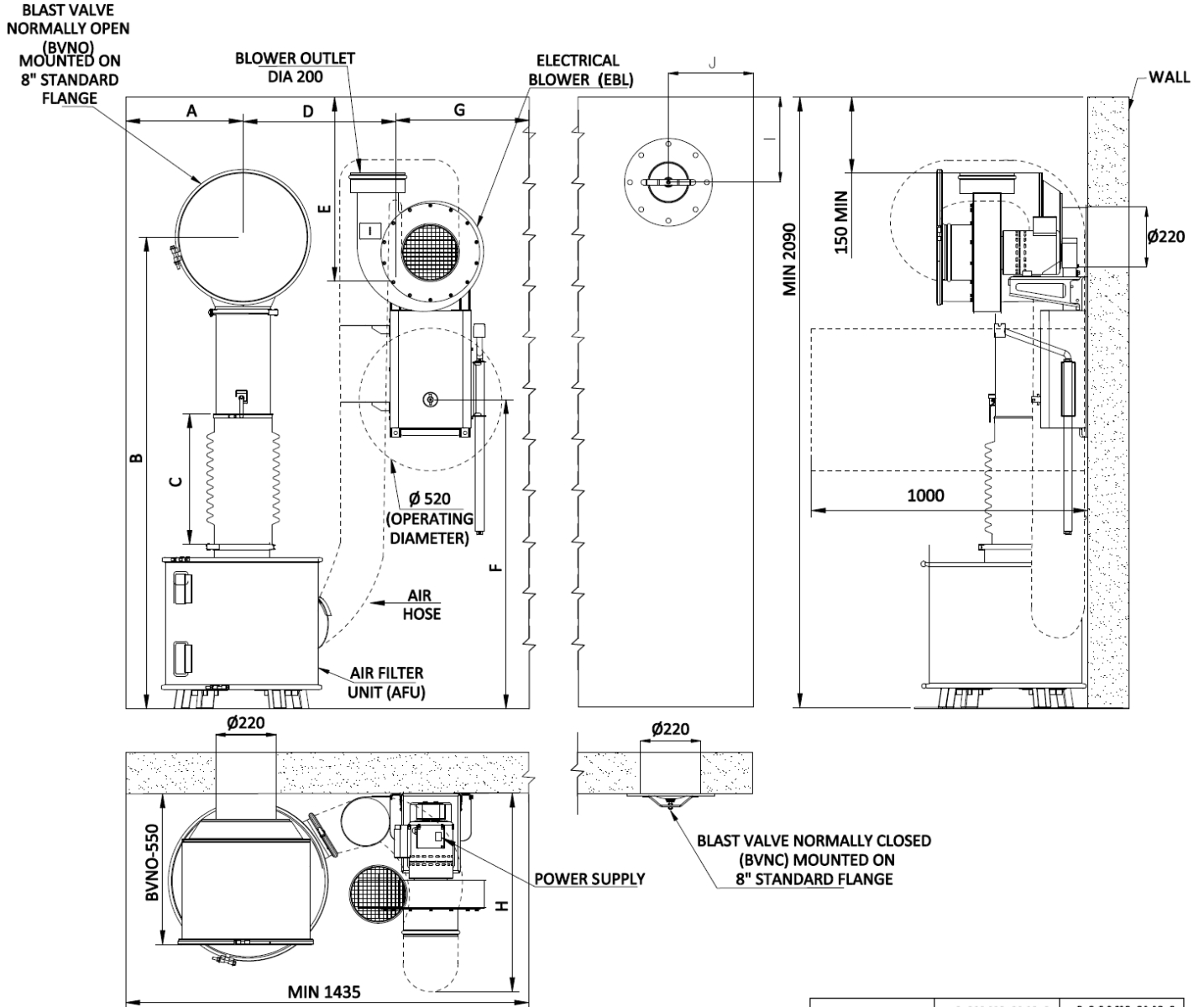
BELT OPTION	CENTER DISTANCE(F)
850-H	990+/-2
1250-H	1498+/-2
1560-H	1892+/-2

DIMENSION	MINIMUM MM(INCH)	MAXIMUM MM(INCH)
A	300(11.81)	NA
B	300(11.81)	NA
C	900(35.43)	1100(43.30)
D	130(5.11)	530(20.44)
E	1260(49.6)	1860(73.22)
G	800(31.50)	1300(51.18)
H	70(2.75)	NA
I	310(12.20)	NA
J	310(12.20)	NA
K	700(27.55)	NA
L	280(11)	NA

Note:

1. All dimensions in mm
2. The blower can be installed on the left or the right to the blast valve.

### ARC 240 Floor Mounted Version

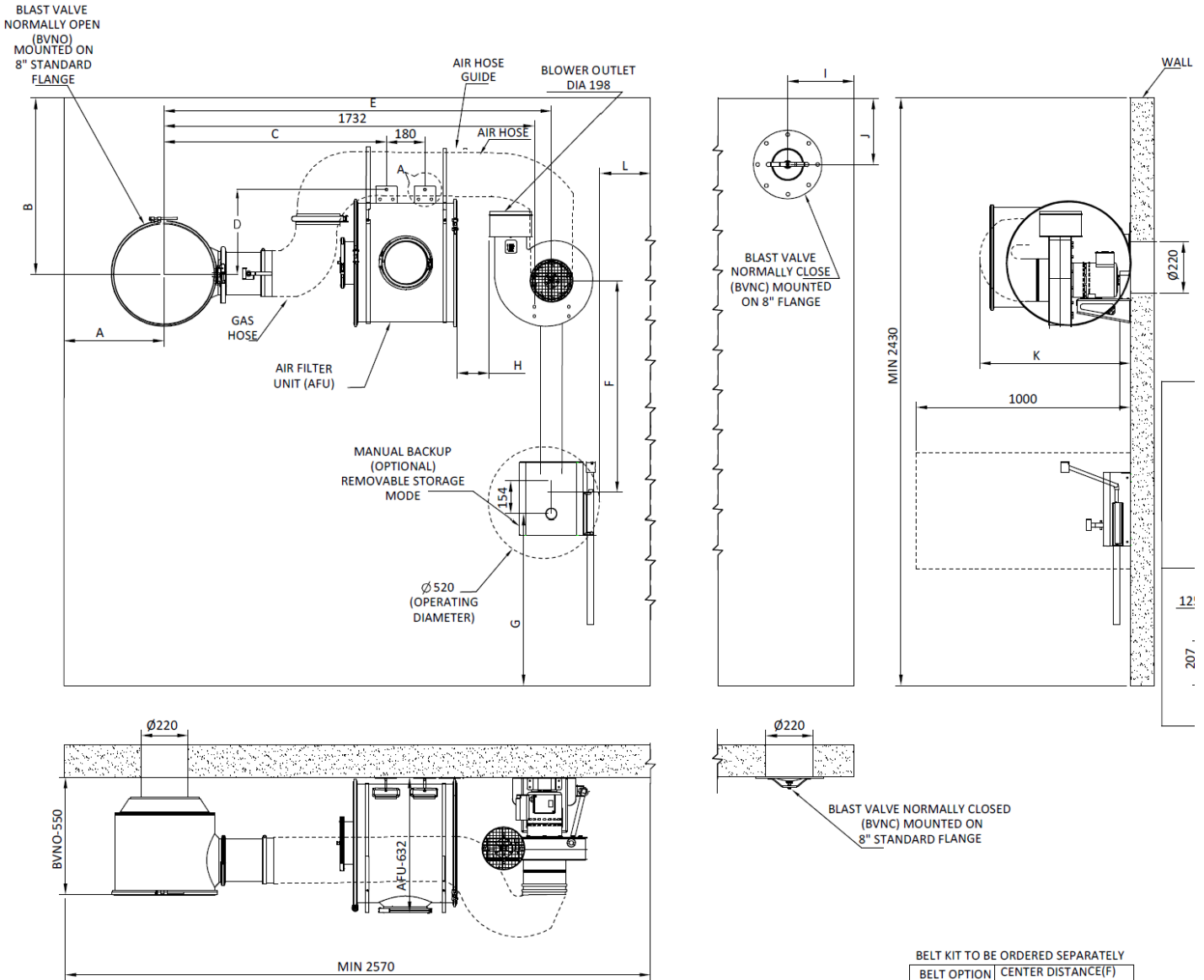


DIMENSION	MINIMUM MM(INCH")	MAXIMUM MM(INCH")
A	400(16")	NA
B	1717(67.59")	2017(79.40")
C	300(12")	600(24")
D	550(22")	1550(61")
E	650(25.5")	NA
F	800(32")	1300(52")
G	485(19")	NA
H	720(28")	NA
I	310(12.20")	NA
J	310(12.20")	NA

Note:

1. All dimensions in mm
2. The blower can be installed on the left or the right to the blast valve.

### ARC 240 Floor-free Version



BELT KIT TO BE ORDERED SEPARATELY

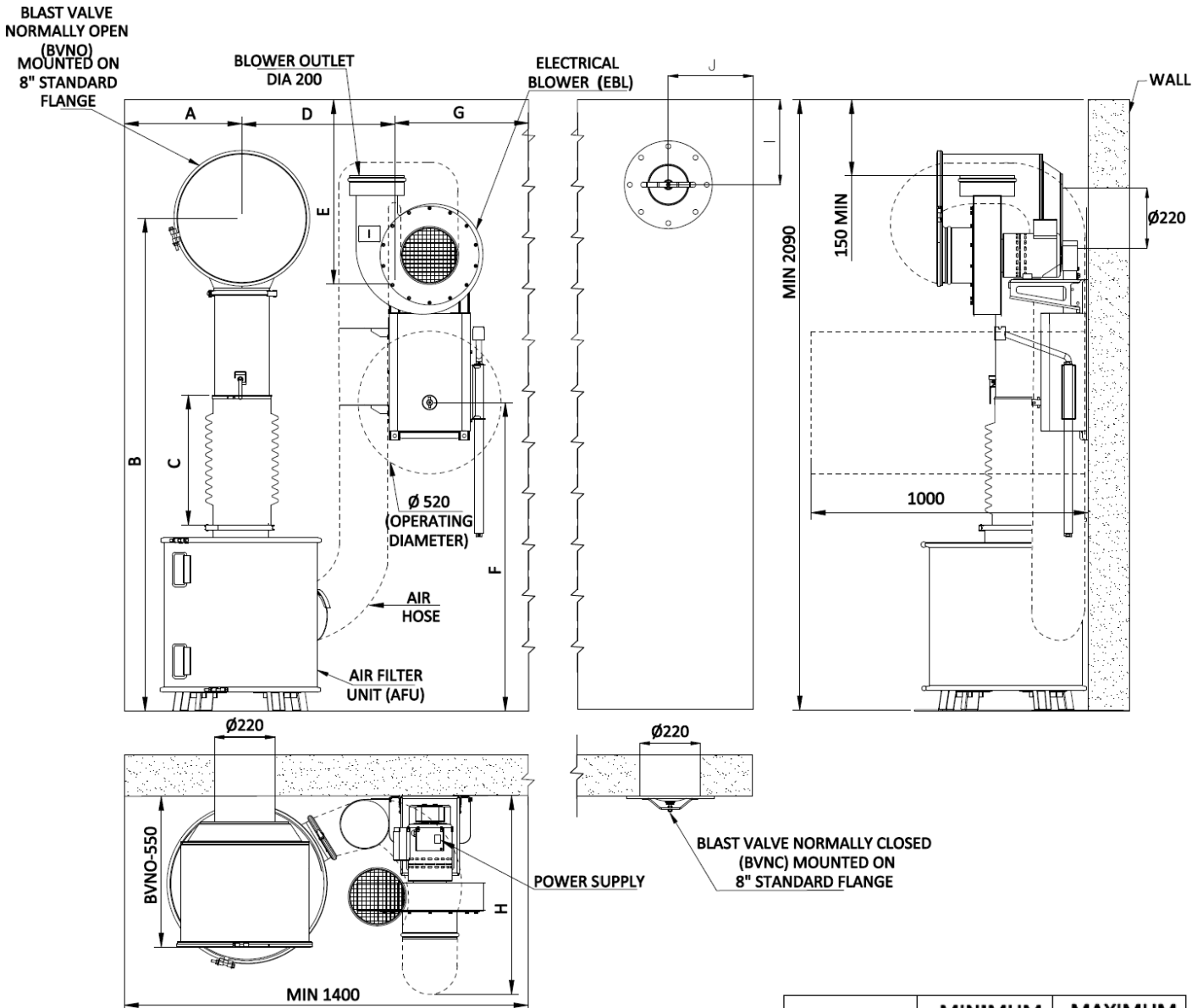
BELT OPTION	CENTER DISTANCE(F)
850-H	990+/-2
1250-H	1498+/-2
1560-H	1892+/-2

DIMENSION	MINIMUM MM(INCH")	MAXIMUM MM(INCH")
A	300(11.81")	NA
B	300(11.81")	NA
C	1000(39.37")	1200(47.24")
D	170(6.70")	570(22.44")
E	1812(71.33")	NA
G	800(31.50")	1300(51.18")
H	70(2.7")	NA
I	310(12.20")	NA
J	310(12.20")	NA
K	700(27.55")	NA
L	100(3.93")	NA

Note:

1. All dimensions in mm
2. The blower can be installed on the left or the right to the blast valve.

### ARC 300 Floor Mounted Version



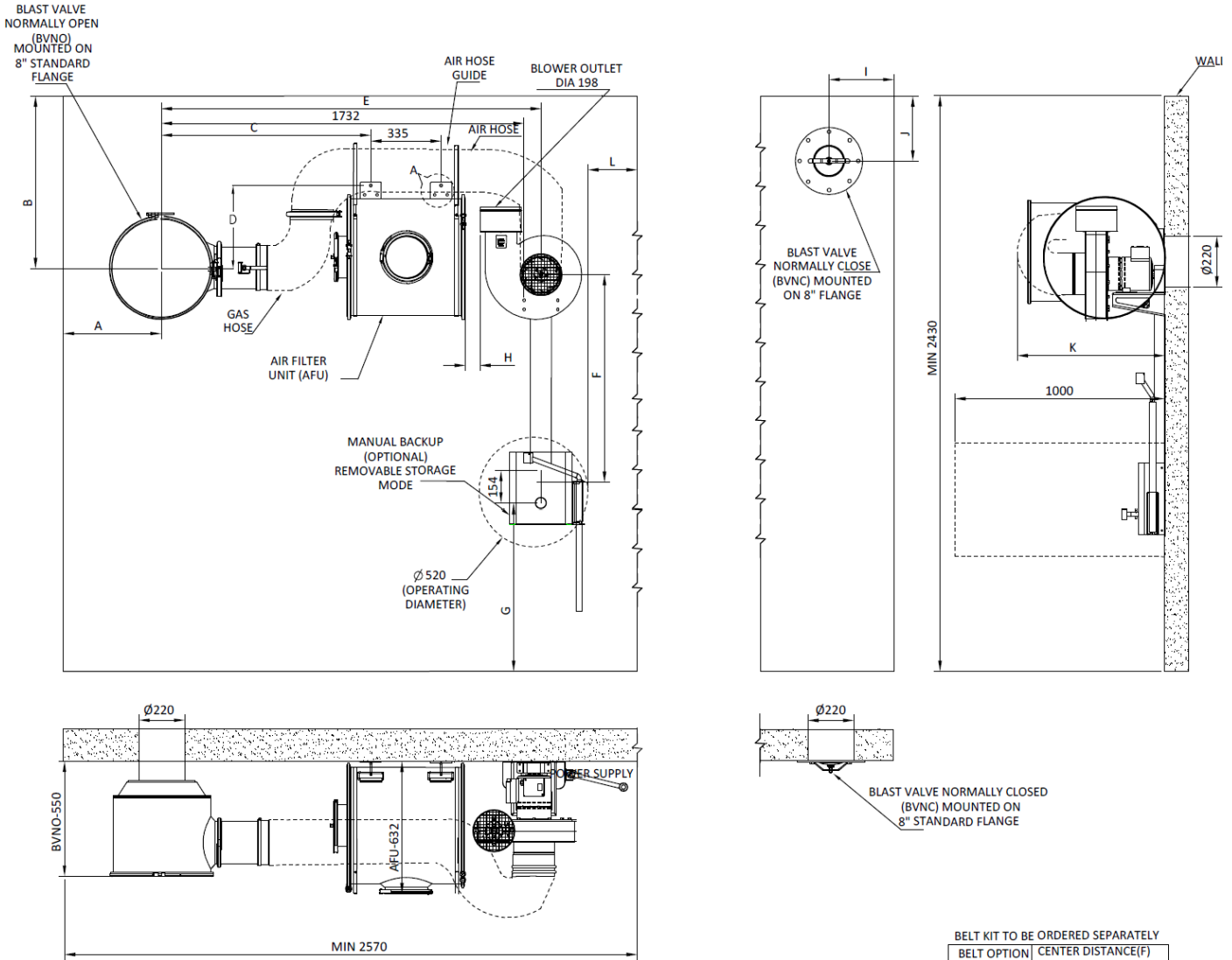
DIMENSION	MINIMUM MM(INCH")	MAXIMUM MM(INCH")
A	400(16")	NA
B	1640(65")	1940(77")
C	300(12")	600(24")
D	550(22")	1550(61")
E	650(25.5")	NA
F	800(32")	1300(52")
G	485(19")	NA
H	720(28")	NA
I	310(12.20")	NA
J	310(12.20")	NA

Note:

1. All dimensions in mm
2. The blower can be installed on the left or the right to the blast valve.



### ARC 300 Floor-free Version



BELT KIT TO BE ORDERED SEPARATELY

BELT OPTION	CENTER DISTANCE(F)
850-H	990+/-2
1250-H	1498+/-2
1560-H	1892+/-2

DIMENSION	MINIMUM MM(INCH")	MAXIMUM MM(INCH")
A	300(11.81")	NA
B	300(11.81")	NA
C	1000(39.37")	1200(47.24")
D	170(6.70")	570(22.44")
E	1812(71.33")	NA
G	800(31.50")	1300(51.18")
H	70(2.7")	NA
I	310(12.20")	NA
J	310(12.20")	NA
K	700(27.55")	NA
L	100(3.93")	NA

Note:

1. All dimensions in mm
2. The blower can be installed on the left or the right to the blast valve.



**Atmas Group** is a Finland-based global supplier of products, technologies, project support services and complete solutions in the areas of civil defense shelters and protected spaces, facilities reinforcement against CBRN, blast, ballistic, forced entry and EMP threats, as well as security, safety and emergency response.

Atmas is trusted by customers and partners around the world providing a unique combination of solutions “under one roof”, with a focus on advanced technologies, product customization, uncompromised service and comprehensive project support.

## **Atmas Group Oy**

Arielinkatu 2

00540 Helsinki

Finland

+358 449843373

[info@atmasgroup.com](mailto:info@atmasgroup.com)

[www.atmasgroup.com](http://www.atmasgroup.com)