

BLAST PROTECTION & AIR MANAGEMENT

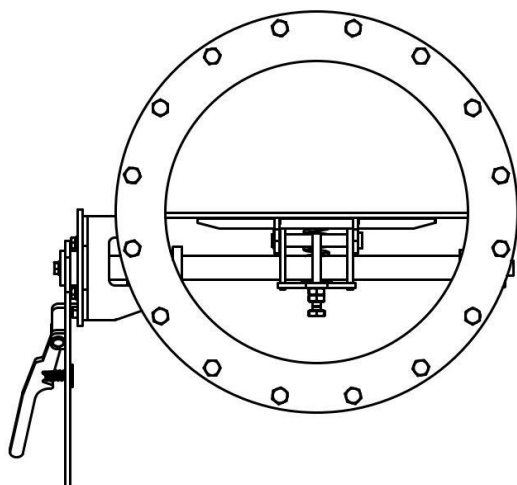
# GK - Gastight Valves



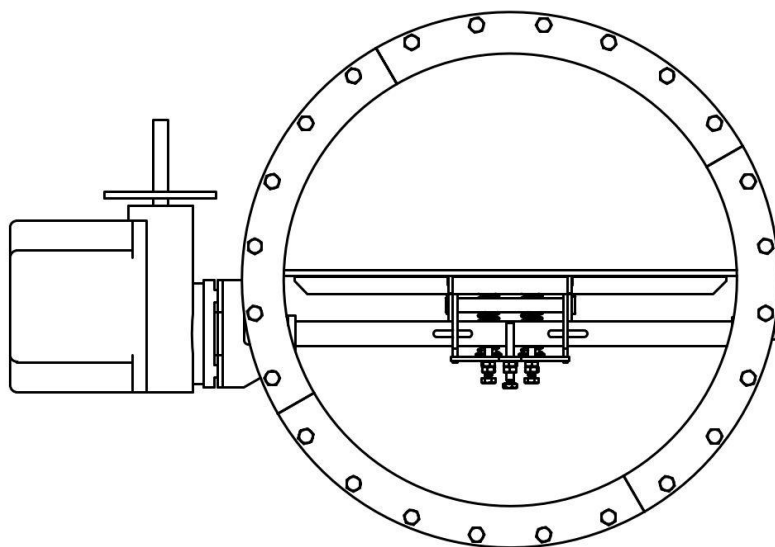
**GK gastight valves** are flow regulation valves designed for installation on the air ducts of ventilation systems of shelters and protective structures. The valves are commonly used as shut-off devices to stop or control the airflow and protect the inner space.

- GK gastight shut-off valves have special design with double eccentric axle.
- GK valves can be delivered with manual and motorized drive.
- The valves are designed to hold a high static pressure loads and can be used in ventilation systems of shelters and protected facilities.
- The valves have a welded steel body or optionally can be made from stainless steel for very corrosive environments.
- The valve can be installed at any direction on the air duct.
- Minimal effort to operate the valve;
- When opening / closing, there is no friction of the sealing ring on the seat;
- Long service life of the sealing elements;
- Replacing the seal is a simple procedure that does not require special tools;
- Continuous sealing surface (360 degrees) provides the highest class of tightness.

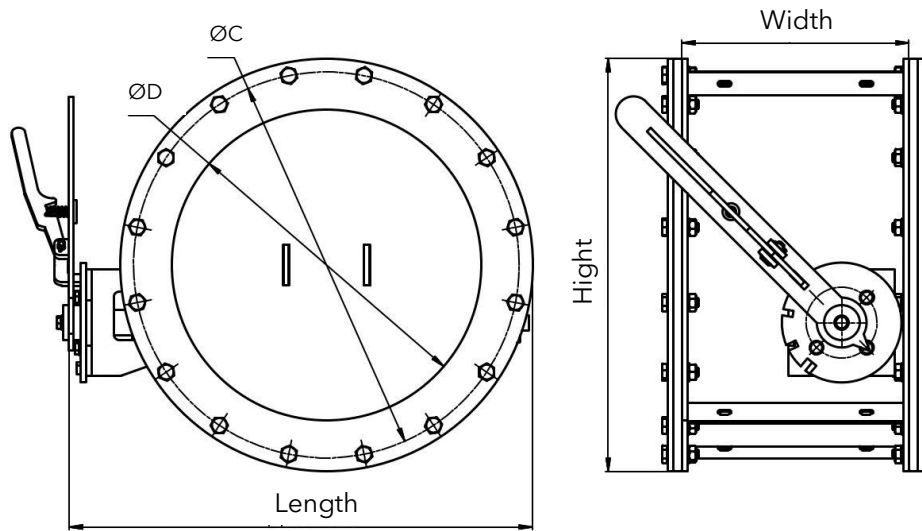




Valve with  
manual operation



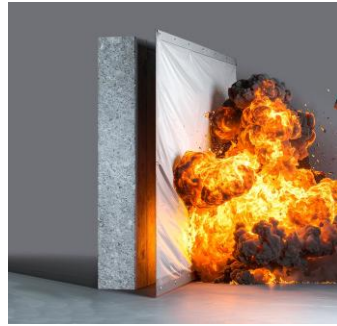
Valve with electric  
operation



Type	Opening Diameter ØD	Hight	Width	Length	Bolts Diameter ØC	Number and size of bolts	Weight kg*
GK 100	100	200	156	305	235	M8X8	14
GK 150	150	270	156	313	240	M8X8	14
GK 200	200	310	156	352	285	M10X12	17
GK 250	250	360	190	415	330	M10X12	22
GK 300	300	435	256	492	405	M10X16	30
GK 350	350	465	256	523	435	M10X16	33
GK 400	400	536	290	606	506	M10X16	50
GK 450	450	500	290	669	540	M10X16	53
GK 500	500	550	290		586	M12X16	63
GK 630	630	746	290	815	716	M10X24	80
GK 720	720	840	350	917	810	M10X12	100
GK 800	800	940	400	1017	910	M10X24	122

Dimensions are in millimetres, Other sizes available on request (DN 100 - DN 1200)

\*Weight mentioned without drive and mounting



## About Atmas

**Atmas Group** is a Finland-based global supplier of products, technologies, project support services and complete solutions in the areas of civil defense shelters and protected spaces, facilities reinforcement against CBRN, blast, ballistic, forced entry and EMP threats, as well as security, safety and emergency response.

Atmas is trusted by customers and partners around the world providing a unique combination of solutions "under one roof", with a focus on advanced technologies, product customization, uncompromised service and comprehensive project support.

### Atmas Group Oy

Hermannin rantatie 3A

00540 Helsinki

Finland

+358 449843373

info@atmasgroup.com

www.atmasgroup.com