

CBRN FILTRATION AND VENTILATION SYSTEMS

Solutions for Shelters and Protected Spaces



ARC is a series of advanced CBRN (chemical, biological, radiological and nuclear) air filtration and ventilation systems designed for installation in protected spaces like shelters, bunkers, strategic facilities and other applications for providing fresh filtered air for safe breathing, maintaining an overpressure and creating protected environment inside the intended area.

Floor installation



Highlights

- Tested and **certified to SI4570 standard** and comply with requirements of various international standards.
- **Approved by civil defence authorities** in various countries.
- Company's systems **installed in tens of thousands of shelters** worldwide.
- Field-tested and **proven in real events**.

Specifications

Systems	ARC 900	ARC 1200	ARC 1800
Installation variants*	FM	FM	FM
Airflow in filtration mode	900 m3/h	1200 m3/h	1200 m3/h
Airflow in ventilation mode	1800 m3/h	2400 m3/h	3600 m3/h
Electric motor voltage (AC)	400-415V	400-415V	400-415V
Phase	3-phase	3-phase	3-phase
Max current	4.1 A	4.1 A	4.1 A
Manual backup	No	No	No
* FM-floor mounted / FF-floor free (wall)			

CBRN Filters	
Activated carbon	As per SI 4570 standard
Mechanical filtration efficiency @ 0.3 μ	≥99.995%

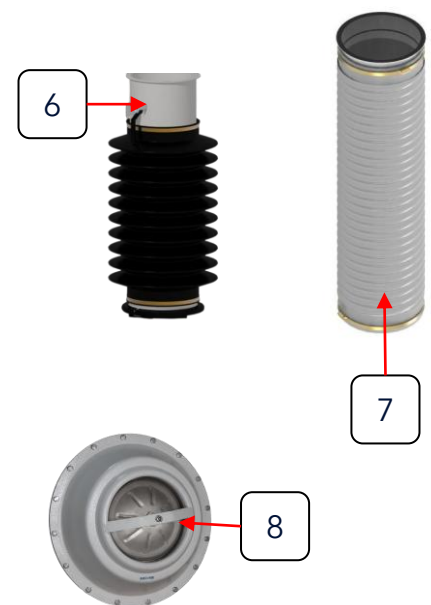
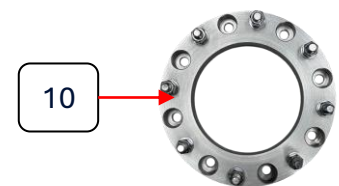
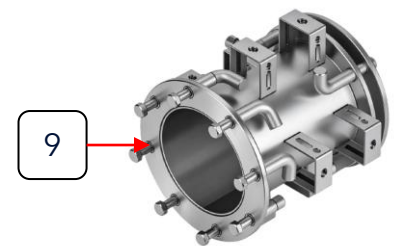
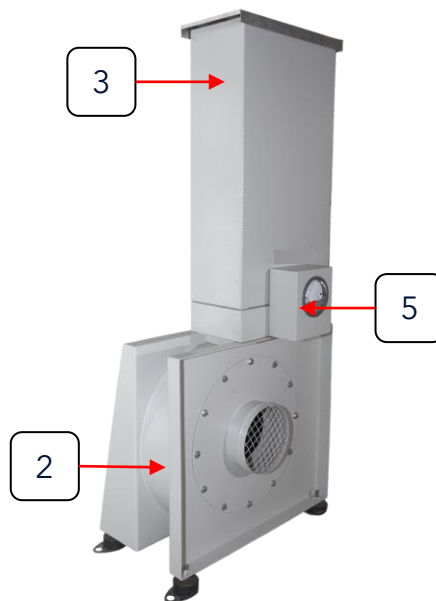
Blast Valves / Overpressure Valves	
Returned pressure durability (blast)	> 9 (900) bar (kPa)
Maximal Pressure durability (blast)	> 20 (2000) bar (kPa)

Main Components

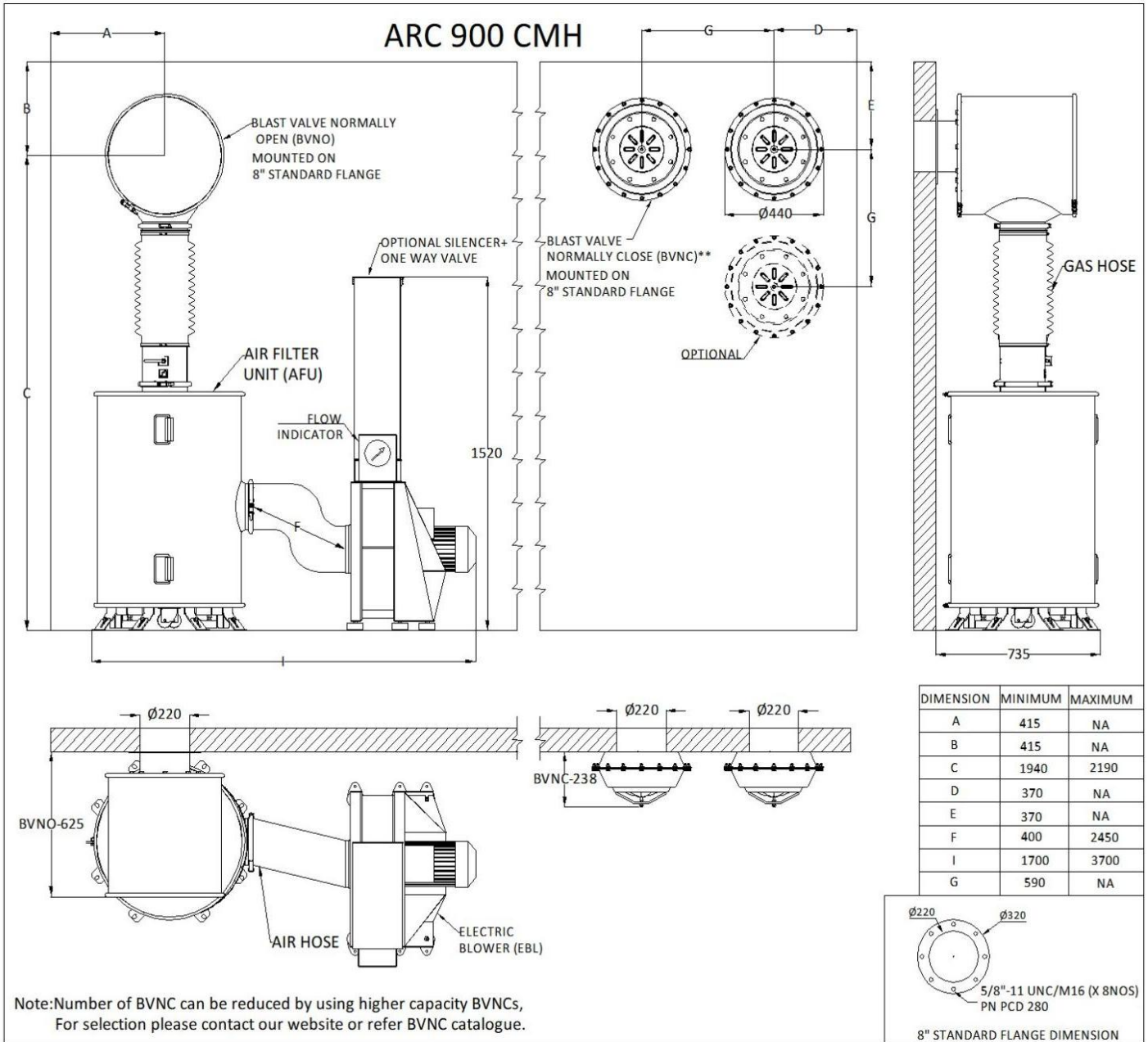
1. CBRN filter (combined carbon and HEPA filter)
2. Electric Blower
3. Air exhaust with silencer
4. Blast valve with prefilter
5. Airflow indicator
6. Chemical resistant hose with airflow control damper
7. Clean air hose
8. Overpressure blast valve

Installation Hardware

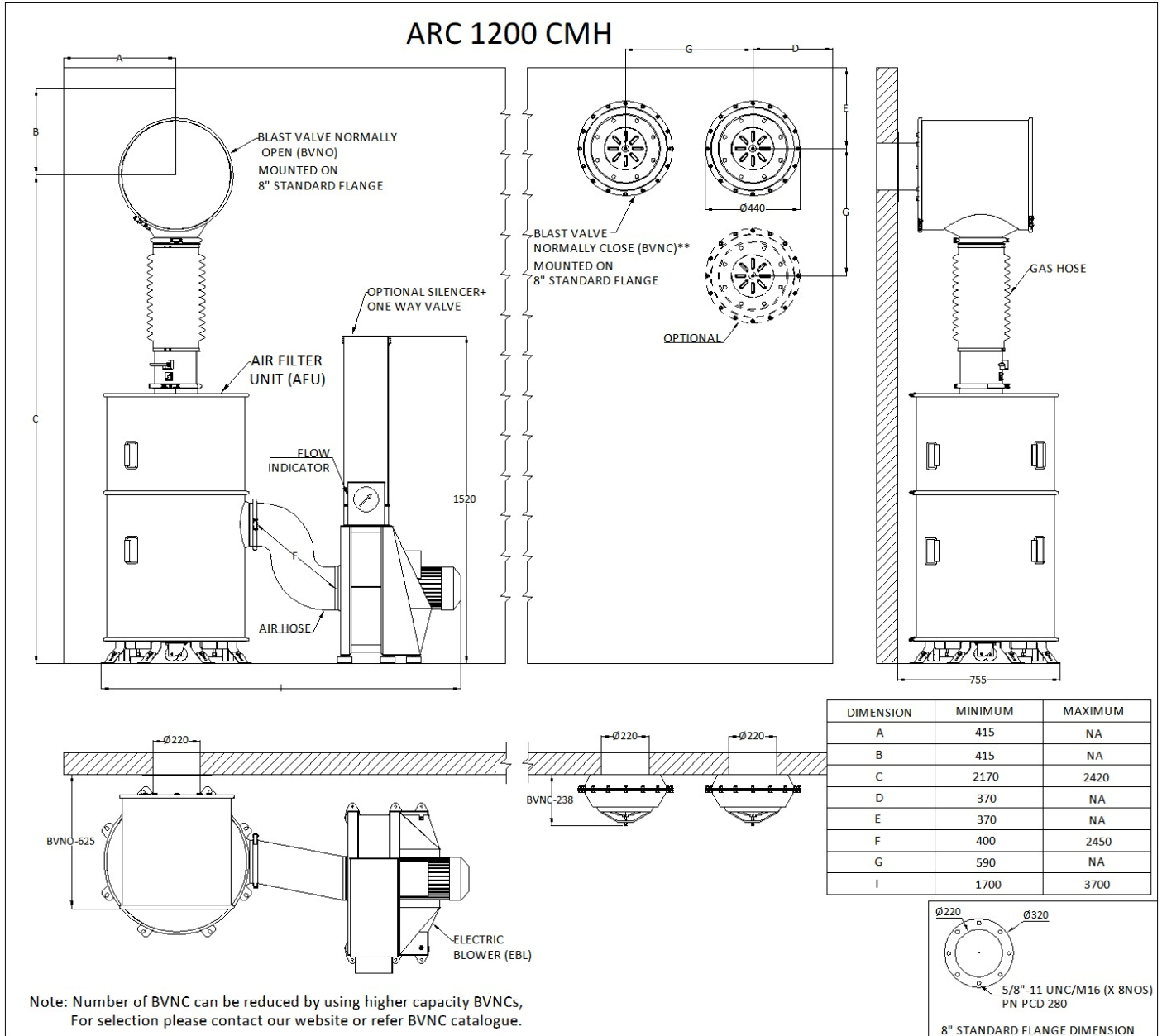
9. Wall sleeve with flange for casting in concrete
10. Retrofit flange for mounting on existing wall



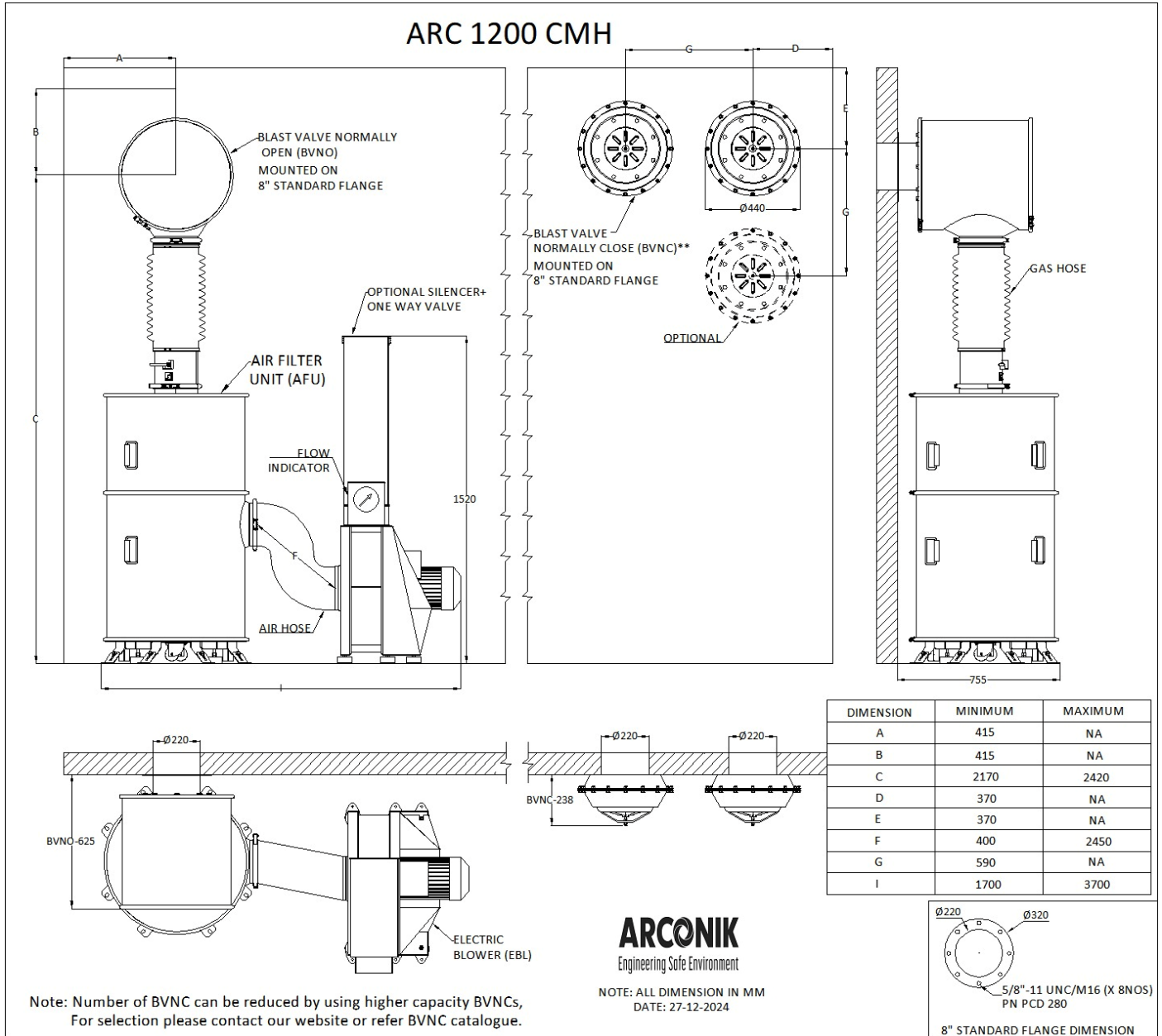
ARC 900 Floor Mounted Dimension



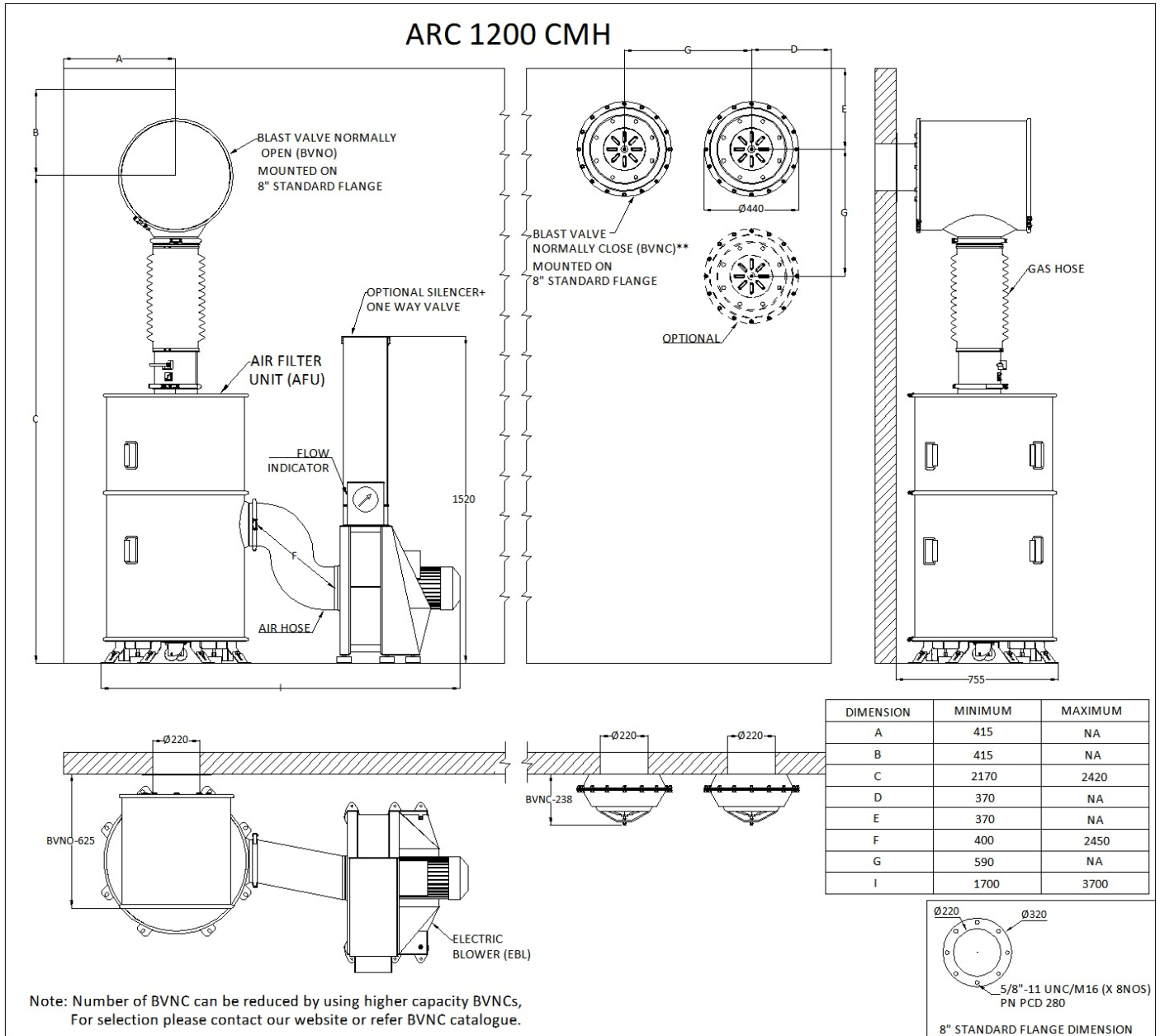
ARC 1200 Floor Mounted Dimension

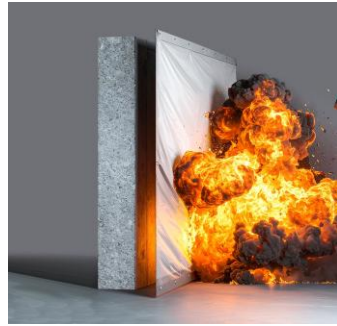


ARC 1200 Floor Mounted Dimension



ARC 1800 Floor Mounted Dimension





About Atmas

Atmas Group is a Finland-based global supplier of products, technologies, project support services and complete solutions in the areas of civil defense shelters and protected spaces, facilities reinforcement against CBRN, blast, ballistic, forced entry and EMP threats, as well as security, safety and emergency response.

Atmas is trusted by customers and partners around the world providing a unique combination of solutions "under one roof", with a focus on advanced technologies, product customization, uncompromised service and comprehensive project support.

Atmas Group Oy

Hermannin rantatie 3A

00540 Helsinki

Finland

+358 449843373

info@atmasgroup.com

www.atmasgroup.com